



NOTICE: A795110



NOPSEMA Australia's offshore energy regulator

VARIATION OF A PETROLEUM SAFETY ZONE – NOTICE A795110 – INPEX OPERATIONS AUSTRALIA PTY LTD

Commonwealth of Australia

OFFSHORE PETROLEUM AND GREENHOUSE GAS STORAGE ACT 2006

PROHIBITION OF ENTRY INTO A PETROLEUM SAFETY ZONE

I, Percy Dhanbhoora, a representative of the National Offshore Petroleum Safety and Environmental Management Authority [NOPSEMA], pursuant to section 616 of the Offshore Petroleum and Greenhouse Gas Storage Act 2006, hereby prohibit all vessels other than vessels under the control of the registered operator of CPF Ichthys Explorer and vessels operated by authorised persons who are exercising powers under section 615(1) of Division 1 of Part 6.6 of the above Act from entering or being present in the area of the safety zone without the consent in writing of NOPSEMA.

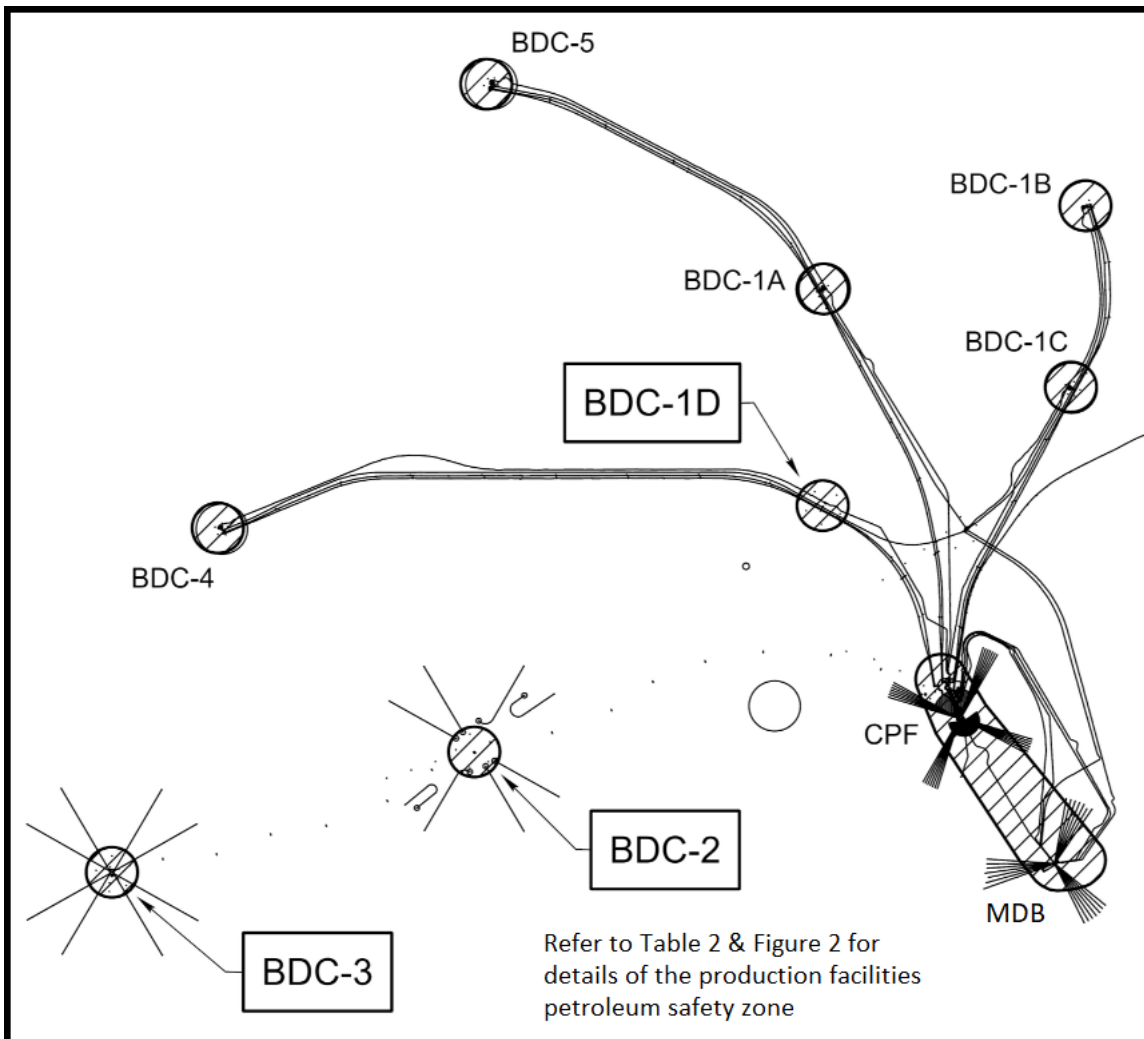
This petroleum safety zone extends to a distance of 500 metres, measured from each point of the outer edge of the Brewster Drill Centres (BDC) as described in Table 1 and shown in Figure 1 below.

Table 1 – Brewster Drill Centre Petroleum Safety Zones

Table with 3 columns: Drill Centre, LATITUDE S, LONGITUDE E. Includes a legend for MDB, RSS, and CPF.

MDB	Mid Depth Buoy
-----	----------------

Figure 1 – Brewster Drill Centre Petroleum Safety Zones



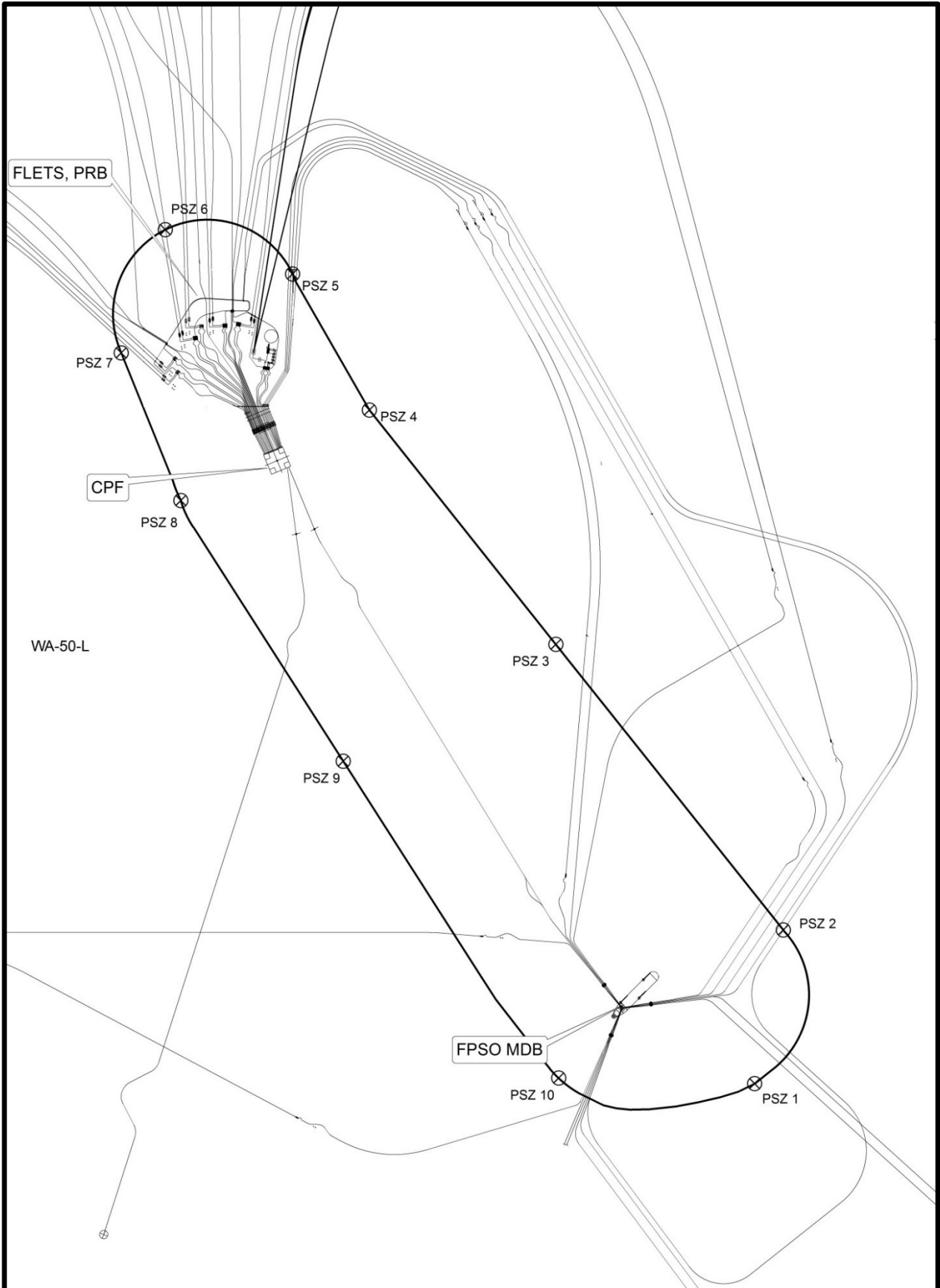
A petroleum safety zone also extends to a distance of 500 metres, measured from each point of the outer edge of the equipment and structures contained within the area identified by coordinates in Table 2 and shown in Figure 2 below including the:

- Ichthys permanently moored Semi- Submersible Central Processing Facility (CPF) (136m x 165m)
- Subsea infrastructure supporting and connecting flexibles to the permanently moored Floating, Storage and Offtake Facility (FPSO) turret (from CPF)
- Flexible Risers connecting Flowlines to CPF topsides, supported at mid- length by 130m tall Riser Support Structure (RSS)
- FLETs connecting seabed flexible section of condensate transfer line which rises to the FPSO turret via MDB to rigid lines
- Hydrocarbon Transfer lines between CPF and FPSO.

Table 2 – Ichthys Production Facilities Petroleum Safety Zone Boundary

Petroleum Safety Zone Boundary (GDA94)		
No.	LATITUDE S	LONGITUDE E
PSZ1	13° 58' 07.75"	123° 19' 16.73"
PSZ2	13° 57' 41.25"	123° 19' 21.76"
PSZ3	13° 56' 56.01"	123° 18' 41.47"
PSZ4	13° 56' 11.66"	123° 18' 08.46"
PSZ5	13° 55' 48.22"	123° 17' 54.85"
PSZ6	13° 55' 40.58"	123° 17' 32.34"
PSZ7	13° 56' 01.85"	123° 17' 24.58"
PSZ8	13° 56' 27.29"	123° 17' 35.15"
PSZ9	13° 57' 12.23"	123° 18' 03.91"
PSZ10	13° 58' 06.82"	123° 18' 42.08"
Legend		
FLETS	Flow Line End Terminations	
PRB	Production riser Base	
CPF	Central Processing Facility	
FPSO	Floating Production, Storage and Offload facility	
MDB	Mid Depth Buoy	

Figure 2 – Ichthys Production Facilities Petroleum Safety Zone Boundary



The safety zone will be valid from 27 May 2021 until revoked by notice published in the gazette.

Where an unauthorised vessel enters or remains in the safety zone specified in contravention of this notice, the owner and the person in command or in charge of the vessel are each guilty of an offence against Section 616 of the Act and are punishable, upon conviction, by imprisonment for a term:

- not exceeding 15 years if the breach is determined as intentional
- not exceeding 12.5 years if the breach is determined as recklessness
- not exceeding 10 years if the breach is determined as negligence
- not exceeding 5 years if the breach is determined as an offence of strict liability.

REVOCATION OF A PETROLEUM SAFETY ZONE

The previous Notice A784948 dated 27 May 2021, which appeared in the Commonwealth of Australia Government Gazette on 8 June 2021, C2021G00414, is revoked as at 9 August 2021.

Dated this 9th day of August 2021.

Made under the *Offshore Petroleum and Greenhouse Gas Storage Act 2006* of the Commonwealth of Australia.

Percy Dhanbhoora, A/Manager – Assessment and Inspection
Pursuant to the Instrument of delegation dated 14 May 2021
National Offshore Petroleum Safety and Environmental Management Authority